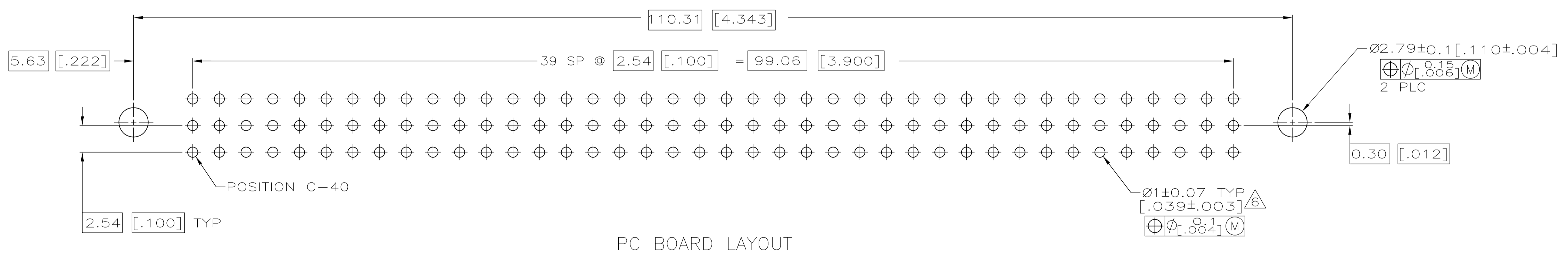
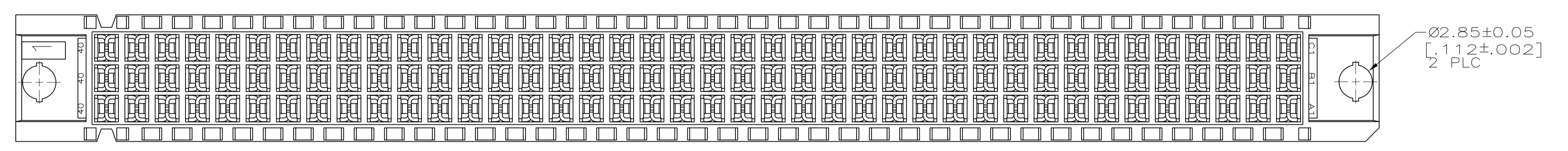
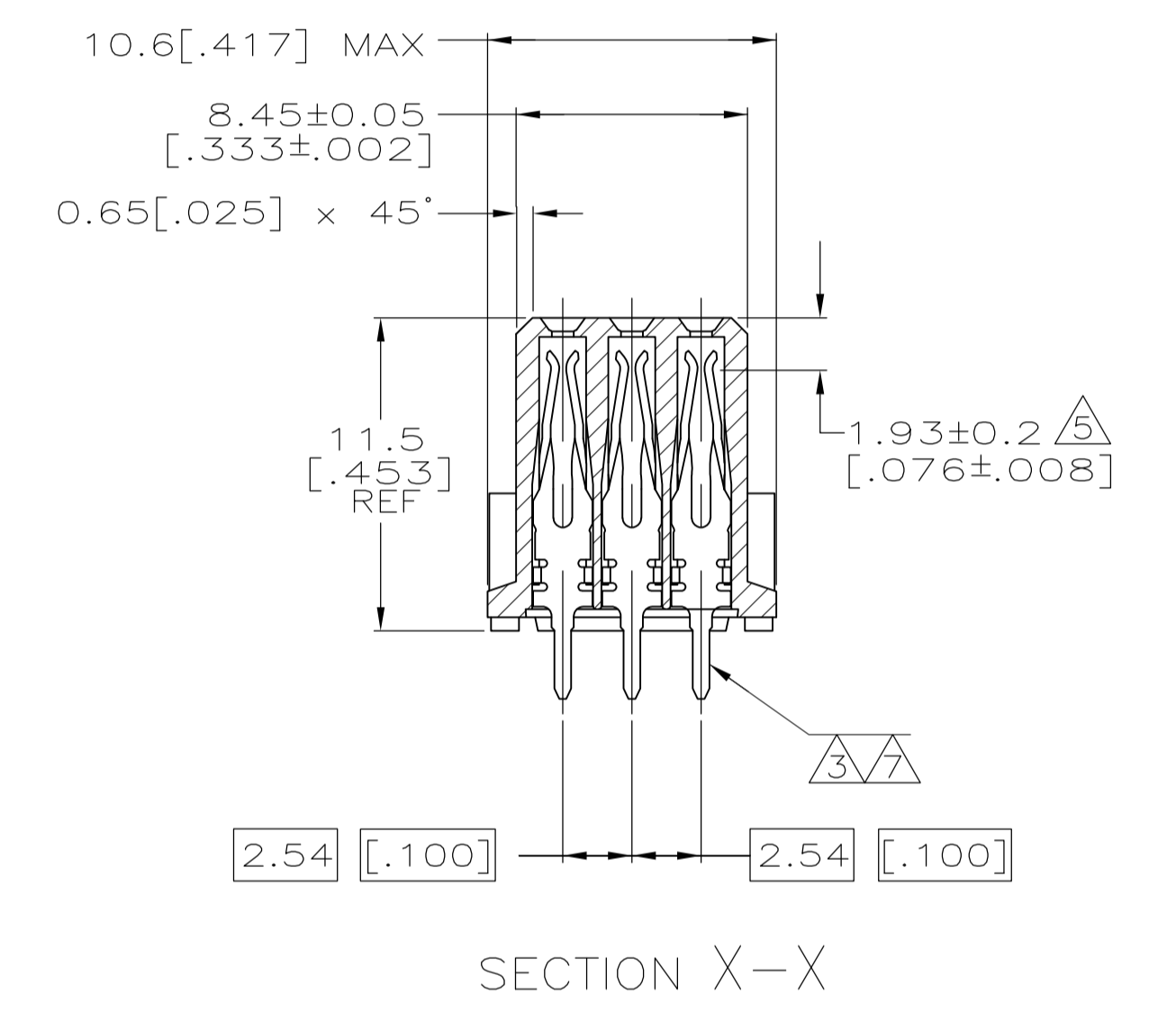
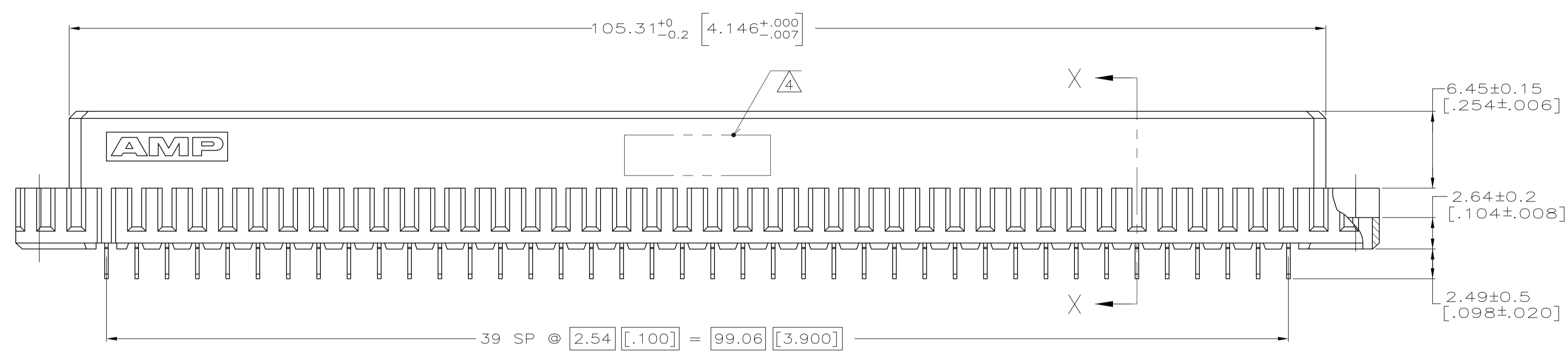
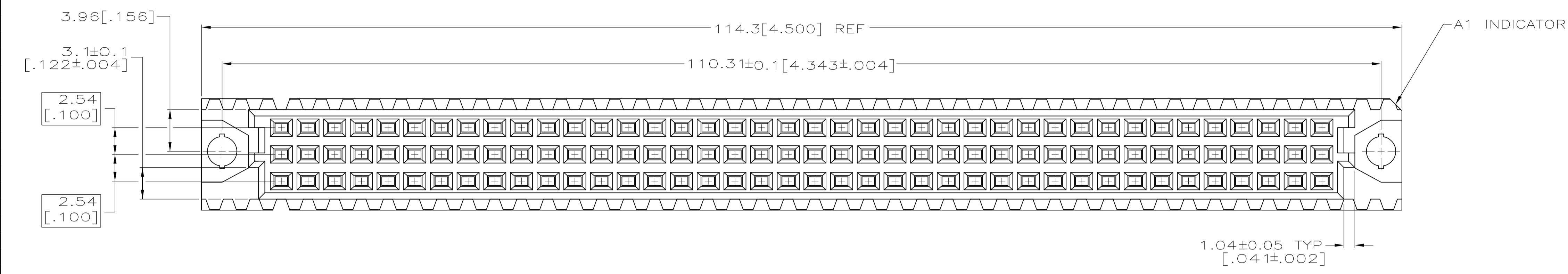


LOC		DIST		REVISIONS			
AD	25	REV	DATE	BY	CHKD	APVD	
0		RELEASED PER EC 0512-0082-05	27MAY05	JDP	AMS		
01		REVISED PER ECO-10-000444	19JAN10	KK	HMR		

- 1 HOUSING MATERIAL: GLASS-FILLED POLYMER.
- 2 CONTACT MATERIAL: COPPER ALLOY.
- 3 CONTACT FINISH: DIN 41612 CLASS 2 IN CONTACT AREA. TIN PLATE ON POSTS.
- 4 PART NUMBER, DATE CODE IDENTIFICATION, CSA LOGO IN THIS APPROXIMATE AREA.
- 5 CONTACT POINT.
- 6 RECOMMENDED HOLE SIZE FOR MANUAL APPLICATION OF CONNECTOR ONTO PC BOARD.
- 7 CONTACT FINISH: DIN 41612 CLASS 3 IN CONTACT AREA. TIN PLATE ON POSTS.
- 8 OBSOLETE PARTS: OBSOLETE CIS STREAMLINING PER D.RENAUD/D.SINISI



FINISH	POSITIONS LOADED	ROWS LOADED	NO. OF LOADED POSITION	ASSY PART NUMBER
1 THRU 40	X X X	120	-5535097-9	
1 THRU 40	X X X	120	5535097-5	

THIS DRAWING IS A CONTROLLED DOCUMENT.		DIN J. POLIGNONE 27MAY05		Tyco Electronics Corporation	
DIMENSIONS: mm [INCHES]		CHK A. SHARPE 27MAY05		Harrisburg, PA 17105-3608	
TOLERANCES UNLESS OTHERWISE SPECIFIED:		APVD A. SHARPE 27MAY05		NAME ASSEMBLY, RECEPTACLE, EUROCARD, TYPE C, 120 POSITION, 2.49 [.098] SOLDER POSTS	
0. PLC ± -	1. PLC ± -	2. PLC ± -	3. PLC ± 0.13 [.005]	4. PLC ± -	ANGLES ± -
MATERIAL		FINISH		SIZE	SCALE
				A1	4:1
		WEIGHT		DRAWING NO	SHEET
				00779	1 of 1
		CUSTOMER DRAWING		DWG NO	REV
				5535097	01